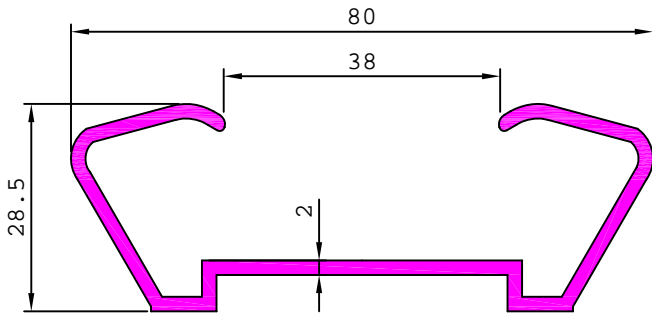
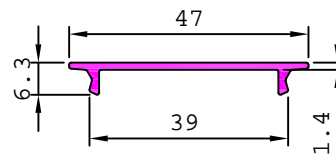


HAND RAILS

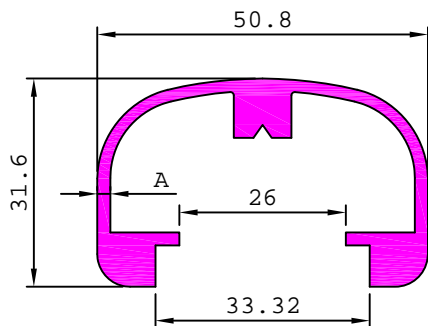
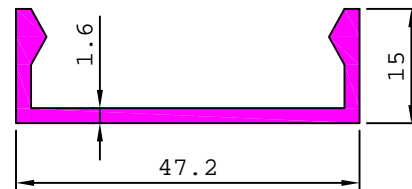
19204 0.851 kg/m



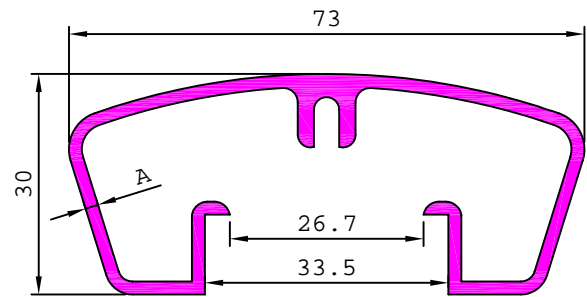
19205 0.221 kg/m



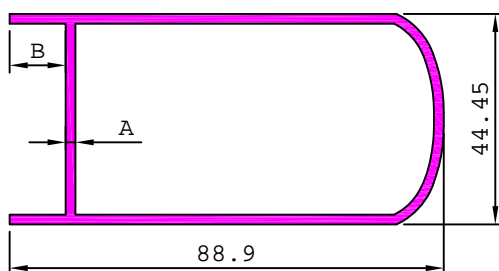
19209 0.364 kg/m



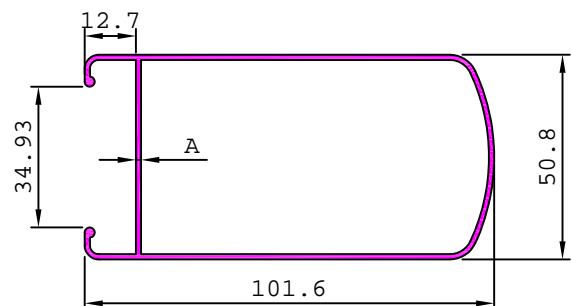
| SL. No. | Section No. | A | Weight kg/m |
|---------|-------------|------|-------------|
| 1 | 19224 | 1.34 | 0.855 |
| 2 | 19223 | 1.92 | 0.975 |
| 3 | 19206 | 3.00 | 1.210 |



| SL. No. | Section No. | A | Weight kg/m |
|---------|-------------|------|-------------|
| 1 | 19226 | 1.20 | 0.684 |
| 2 | 19225 | 1.65 | 0.854 |
| 3 | 19207 | 2.50 | 1.281 |

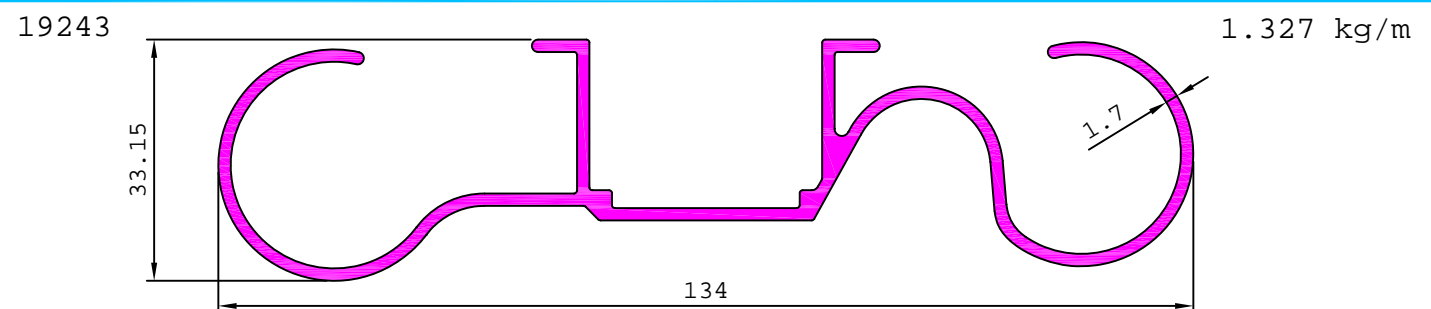
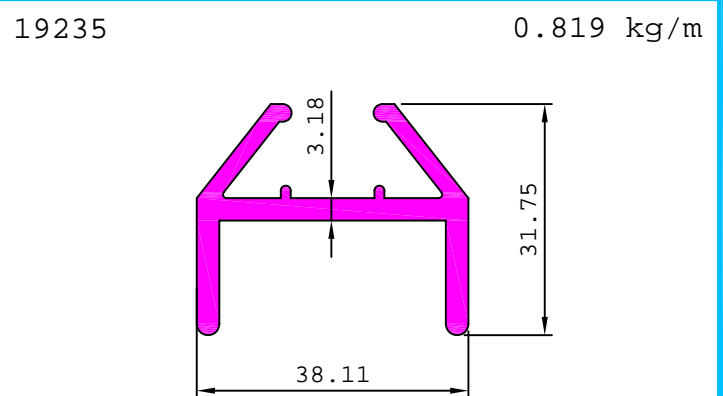
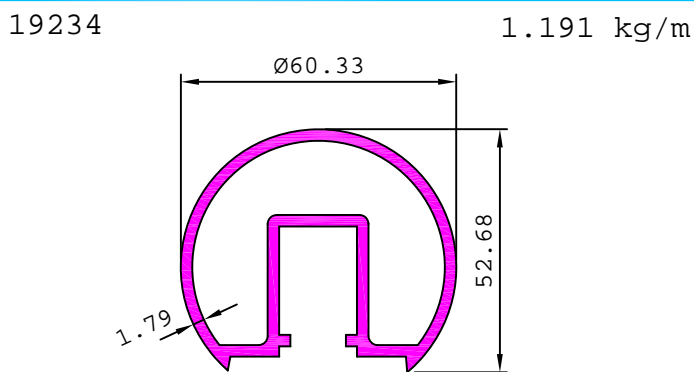
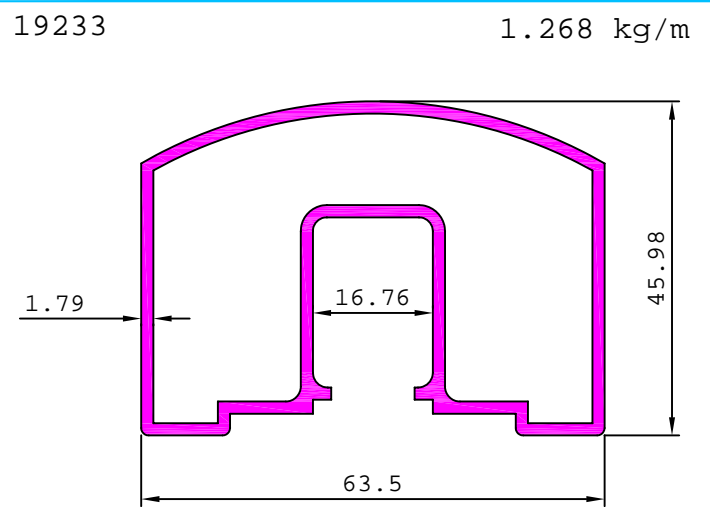
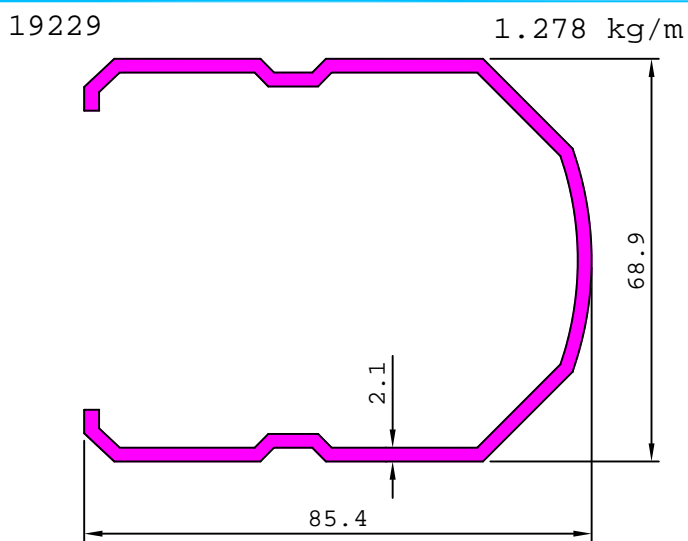
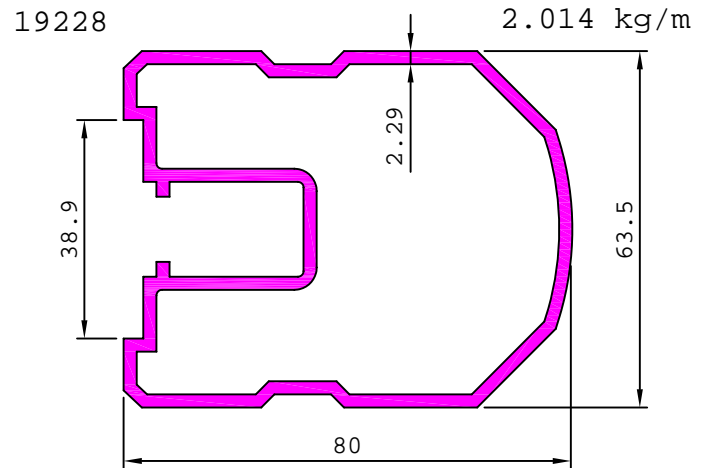
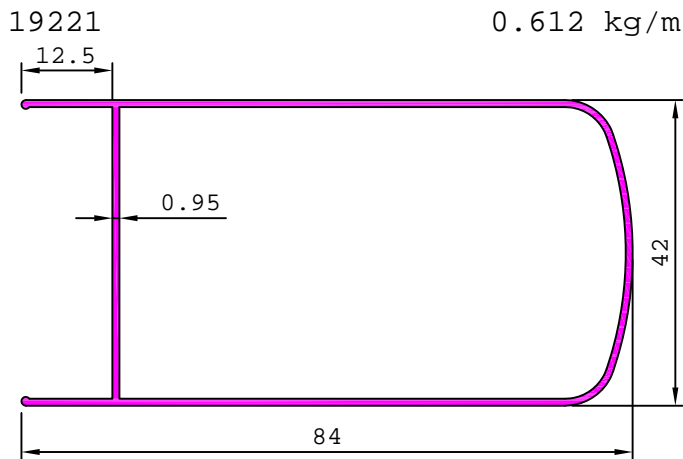


| SL. No. | Section No. | A | B | Weight kg/m |
|---------|-------------|------|-------|-------------|
| 1 | 19218 | 1.10 | 12.70 | 0.738 |
| 2 | 19217 | 1.15 | 12.50 | 0.765 |
| 3 | 19215 | 1.40 | 12.50 | 0.976 |



| SL. No. | Section No. | A | Weight kg/m |
|---------|-------------|------|-------------|
| 1 | 19227 | 0.93 | 0.763 |
| 2 | 19222 | 1.19 | 0.970 |
| 3 | 19220 | 1.30 | 1.067 |

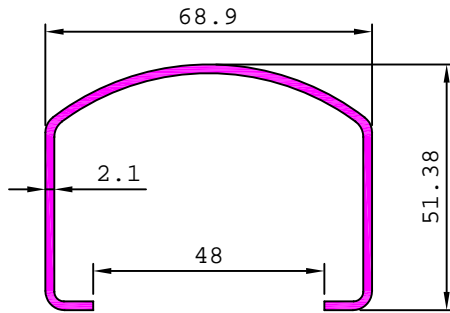
HAND RAILS



HAND RAILS

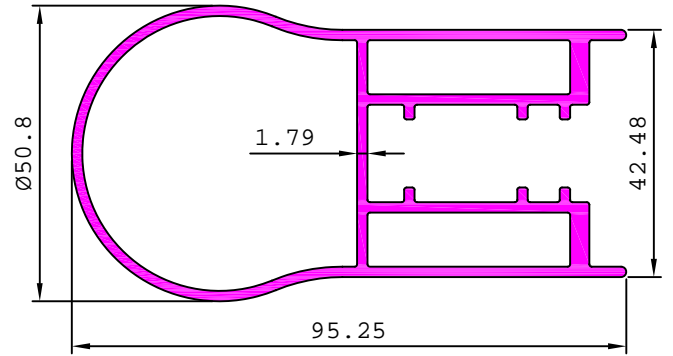
19236

0.926 kg/m



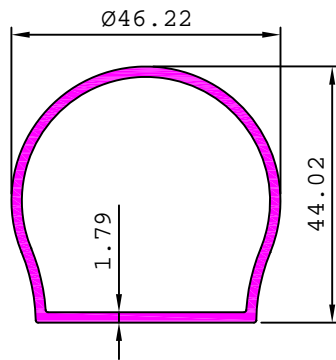
19240

1.847 kg/m



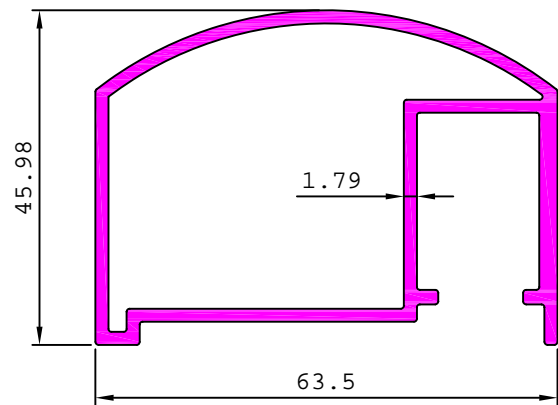
19241

0.711 kg/m



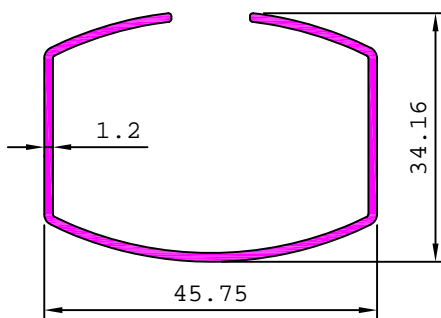
19242

1.179 kg/m



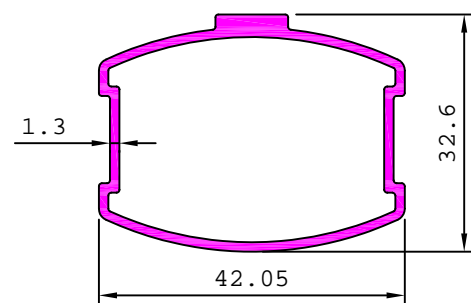
19245

0.409 kg/m



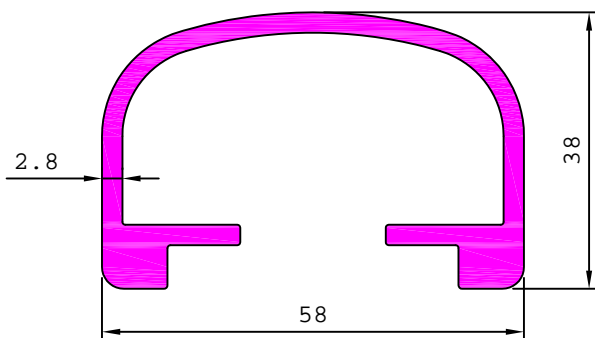
19246

0.509 kg/m



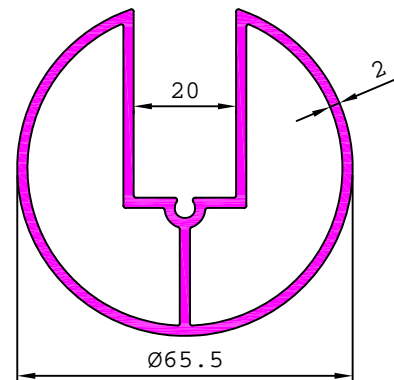
19244

1.290 kg/m



15276

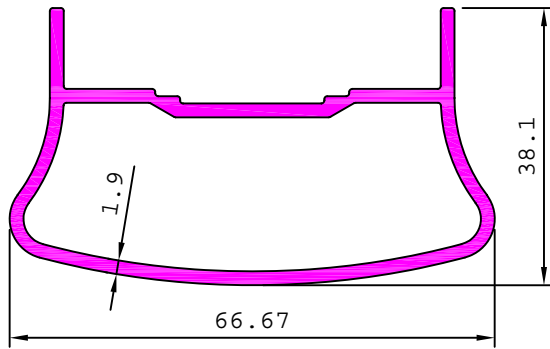
1.604 kg/m



WALL FACINGS

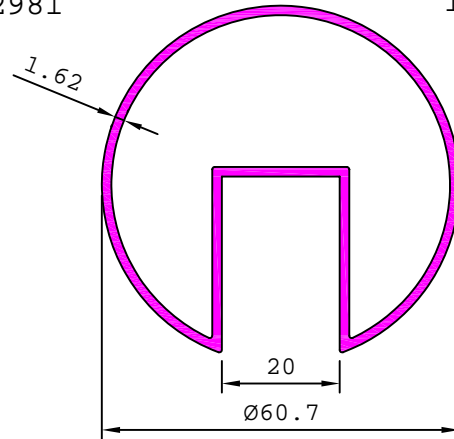
19247

0.946 kg/m



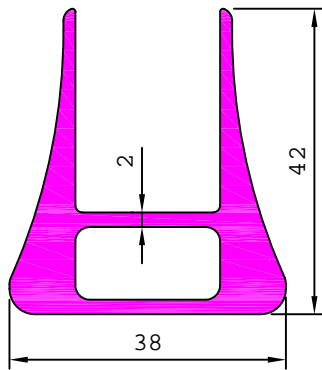
22981

1.069 kg/m



S6194

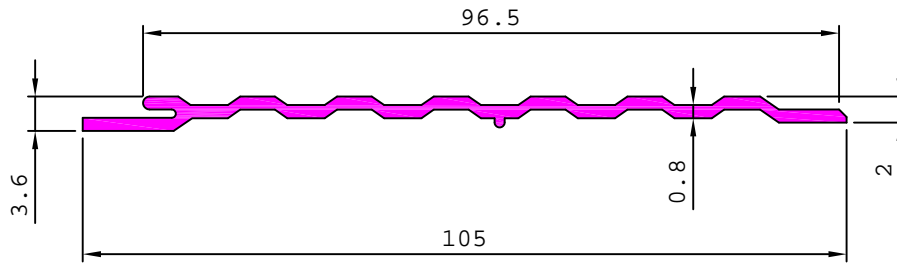
1.215 kg/m



WALL FACINGS

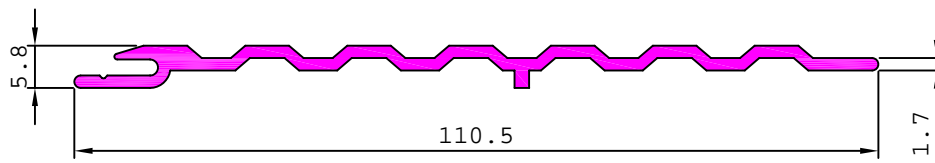
19304

0.303 kg/m



19305

0.607 kg/m



19306

3.748 kg/m

